



Big Sun Industry Co.,Ltd.

SPECIFICATION FOR APPROVAL

No.673, Song Shan Road, Taipei(110), Taiwan.

Tel: 886-2-27265106 Fax: 886-2-27263707

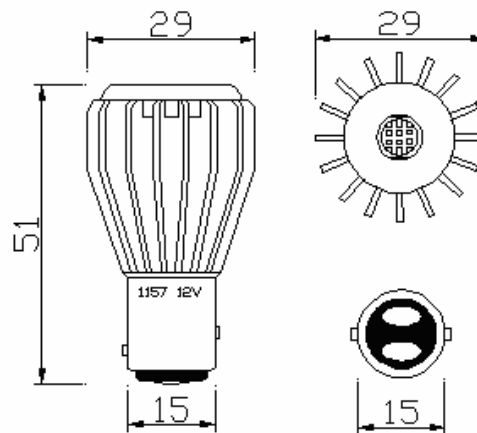
E-mail: millow@bsunlight.com [Http://www.bsunlight.com](http://www.bsunlight.com)

DESCRIPTION:

(A) Electronics and Optical Characteristics: Ta=25°C

PART NO	Emitting Color	Forward Voltage DC	Totality Luminous Intensity	Dominant Wavelength	Color Temperature	Single LED Intensity	Viewing Angle
		Unit: V	Unit: LM Error margin: ±25%	Unit: nm	Unit: K°	Unit: mcd	Unit: deg
1157-T30-HP(R)-FLU	Super Red	14.2	15.492/5.5876	625~640	≤1000	4050~4250	100~120
1157-T30-HP(Y)-FLU	Super Yellow	14.2	14.477/5.1227	590~600	1100~1300	1950~2100	100~120
1157-T30-HP(G)-FLU	Ultra Green	14.2	18.093/7.9025	520~530	7300~7500	2900~3150	100~120
1157-T30-HP(B)-FLU	Super Blue	14.2	6.6488/2.6014	470~480	≥30000	995~1200	100~120
1157-T30-HP(W)-FLU	Super White	14.2	22.964/8.3186	X:0.283 Y:0.297	7000~9000	8000~8250	100~120
Test Condition	Power: 0.78/0.21W Current: 60/15 ± 10% mA					IR max: 0.01mA; VR max: 5V IF=40mA	

Figure:



1157-T30-1HP-FLU

(B) Absolute Maximum Ratings AT Ta=25°C

PARAMETER	MAX	UNIT
Continuous Forward Current		mA
Peak Forward Current (1/10 Duty Cycle 0.1ms Pulse Width)		mA
Reverse Voltage		V
Operating Temperature Range	-20°C to +90°C	
Storage Temperature Range	-40°C to +100°C	
Lead Solder Temperature 1.6mm Below Package 260°C For 5 seconds		

APPROVED & CHECKED BY: Stanley Chen Tested By: Lai Con an Date: 2007/01/11