

Big Sun Industry Co.,Ltd.

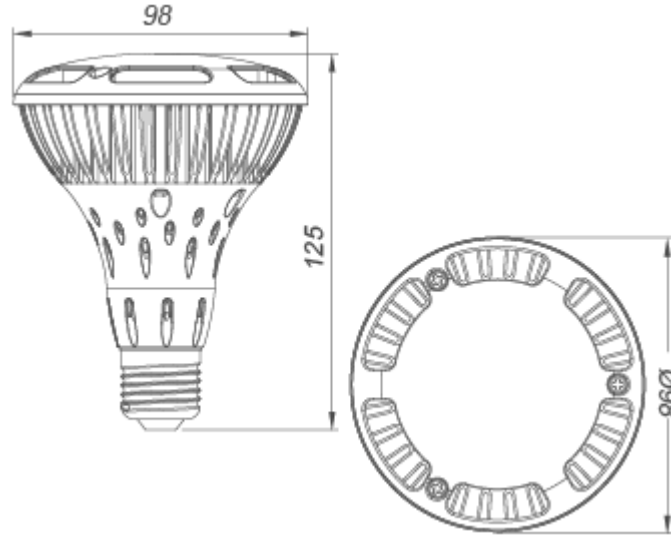
SPECIFICATION FOR APPROVAL

5F, No.398, Keelung Rd. Section 1, Taipei(110), Taiwan.

Tel: 886-2-2758 3131 Fax: 886-2-2758 2233

E-mail: sales@bsunlight.com Http://www.bsunlight.com

Figure:



Model No.	PAR30D-6Watt Warm White	PAR30D-6Watt Cool White	PAR30D-9Watt Warm White	PAR30D-9Watt Cool White
CCT (Typical)	3000 K	6000 K	3000 K	6000 K
Typical Power Consumption	7.2 W		10.4 W	
Luminous Flux (lm)	297 lm	396 lm	440 lm	594 lm
Input Voltage	100 - 240V AC			
Socket Base	E26 / E27			
Operation Temperature	-20 °C — +40 °C			
Typical Luminous Efficacy	42 lm/W	55 lm/W	43 lm/W	58 lm/W
CRI	> 80	> 75	> 80	> 75
Beam Angle	120° / 60° (Optional) / 30° (Optional)			
Warranty	3 Years			
Applications	Architectural Lighting/ Cabinet Lighting/ Commercial Lighting/ Landscape Lighting/ Spot Lighting/ Accent Lighting/ Hallway Lighting			
Outline Dim.	Φ 98 *125 (mm)			
Net. Weight	0. 25 (Kgs)			
Package	24 Boxes / Carton			
Box Dimension/ Weight	116*115*156 (mm) / 0.35 (Kgs)			

APPROVED & CHECKED BY: Stanley Chen **Tested By:** Jack Ho **Date:** 2010/12/01