

Big Sun Industry Co.,Ltd.

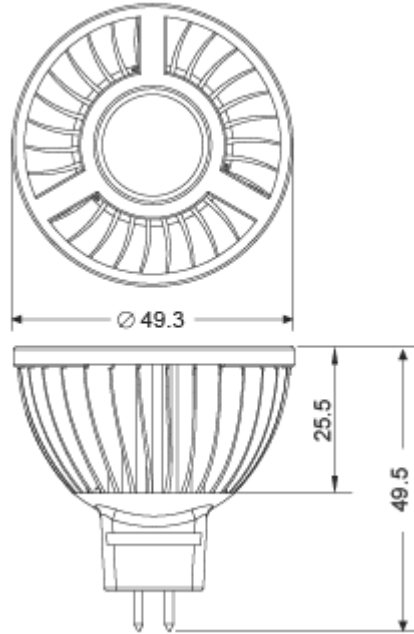
SPECIFICATION FOR APPROVAL

5F, No.398, Keelung Rd. Section 1, Taipei(110), Taiwan.

Tel: 886-2-2758 3131 Fax: 886-2-2758 2233

E-mail: sales@bsunlight.com Http://www.bsunlight.com

Figure:



Model No.	MR16-5Watt-AC/DC Warm White	MR16-5Watt-AC/DC Cool White
CCT (Typical)	3000 K	6000 K
Typical Power Consumption	5 W	
Luminous Flux (lm)	160 lm	200 lm
Input Voltage	12V AC-DC	
Socket Base	GU5.3	
Operation Temperature	-20 °C — +40 °C	
Typical Luminous Efficacy	32 lm/W	40 lm/W
CRI	> 80	> 75
Beam Angle	30 / ° 60 °	
Warranty	2 Years	
Applications	Shop Window Lighting/ Cabinet Lighting/ Commercial Lighting/ Meeting room/ Indoor ornament / Spot Lighting/ Hallway Lighting	
Outline Dim.	Φ 49.3*49.5 (mm)	
Net. Weight	0.047 (Kgs)	
Package	100 Boxes/ 10 Packs/ Carton	
Box Dimension/ Weight	L= 522*280*143 (mm) / 0.065 (Kgs)	

APPROVED & CHECKED BY: Stanley Chen **Tested By:** Jack Ho **Date:** 2010/12/01